

# VENTFREE Fireboxes



Martin offers a complete line of vent free fireboxes for use with its line of vent free gas logs as well as other vent free gas logs that fit within the minimum hearth area.

36LCUF Vent Free Firebox shown with optional Stacked Pine Refractory Gas Logs.

## A Clean Face Design To Complete Any Room

VF/R32C, VF/R36C, VF/R42C, 36MCUE, 42MCUE, 32LCUF, 36LCUF, 400BUF and 500BUF Vent Free Fireboxes

- VF/R Series offers 32", 36" and 42" fireboxes with a choice of louvered or radiant clean face design standard with factory installed tavern brown fiber ceramic or refractory firebrick
- Lo-Rider Series 32" and 36" fireboxes with radiant design offer a standard tavern brown firebrick (32LCUF) and standard herringbone brick pattern (36LCUF) with a low profile hearth for a traditional fireplace look
- Magnum Series 36" and 42" fireboxes with radiant design, standard with tavern brown fiber ceramic or refractory firebrick, including a circulating feature and taller opening for larger rooms





36MCUF Vent Free Firebox shown with optional Seasoned Hardwood Fiber Ceramic Gas Logs.

Martin offers a full line of vent free fireboxes to fit the needs of any design project.

## A Clean Face Design To Complete Any Room

### 36MCUF/42MCUF Magnum and 32LCUF/36LCUF Lo-Rider Vent Free Fireboxes

- Magnum fireboxes available in 36" (36MCUF) and 42" (42MCUF) shipped standard with your choice of tavern brown fiber ceramic firebrick or herringbone refractory firebrick (shown above) factory installed
- Optional variable thermostat blower (160 cfm) (MCUF Only)
- Lo-Rider fireboxes available in 32" (32LCUF) and 36" (36LCUF shown on cover) offering an extra large viewing area
- 32LCUF firebox is shipped standard with tavern brown firebrick and 36LCUF is shipped standard with herringbone refractory firebrick
- Lo-Rider installs with base almost flush with the floor for a traditional look
- Large selection of field installed options, including decorative facings available in several finishes
- With 99% vent free efficiency, heat stays in the home for warmth and comfort
- CSA design certified for use with Martin Hearth & Heating 18", 24" and 30" Vent Free Gas Logs as well as other vent free gas logs that fit within the minimum hearth area

# OPTIONAL ACCESSORIES

## FACTORY INSTALLED OPTIONS (VF/RC and MCUF Series Only)

- Tavern Brown and Refractory Firebrick

### VFC SERIES ONLY



Pewter Louvers



Brass Louvers

• Medium trim kits available in brass, pewter and black  
Note: Cannot be used with radiant clean face firebox or radiant panel kits.



Gold Filigree Panels



Pewter Filigree Panels

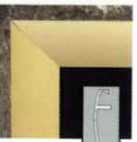


Black Filigree Panels

### VF/RC, MCUF and LCUF SERIES ONLY



Curved Pewter Trim



Curved Brass Trim



Curved Black Trim

### VF/RC and MCUF SERIES ONLY



Variable Thermostat Controlled Forced Air Blower (160 cfm)

### VF/RC SERIES ONLY



Cottage Red Firebrick

## 32" and 36" HARDWOOD WALL AND CORNER (VF/RC AND 32LCUF SERIES ONLY) SURROUNDS AND HEARTH'S ADD MORE DESIGN FLEXIBILITY AND VALUE



36LCUF Firebox with optional Honey Oak Surround and Hearth, Stacked Pine Refractory Logs and Brass Trim



VF36C-R Firebox with optional Dark Cherry Surround with Hearth, Splendor Glow II Logs, Brass Trim and Brass Louvers (Surround with Hearth shown above not available in Unfinished Oak or Unfinished Birch)



Honey Oak Finish



Birch Unfinished Paint/Stain Ready



Dark Cherry Finish



Oak Unfinished Paint/Stain Ready

## REMOTE CONTROLS AND WALL THERMOSTATS



On/Off Remote Control with Receiver.



On/Off Remote Control with 90 min. countdown timer with Receiver.



On/Off Thermostat Remote Control with Receiver.



Programmable Thermostat Remote Control with Receiver.



On/Off Thermostat Remote Control with 3-speed blower control with Receiver.



Touch Light™ Table Top/Wall Mount TLM On/Off and TLT Thermostat Remote Control with Receiver.



Programmable Wireless Wall Thermostat

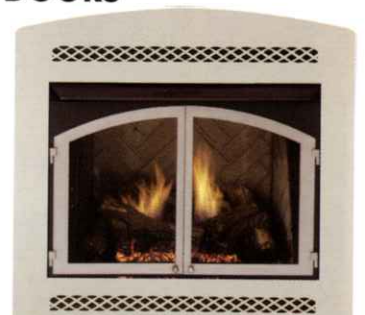
## DECORATIVE ARCHED FRONTS, FRAMES AND FIRE SCREEN DOORS



VF-R shown with Brushed Pewter Arched Front, Brushed Pewter Frame and Brushed Pewter Fire Screen Doors



MCUF shown with Black Arched Front, Gold Frame and Black Fire Screen Doors



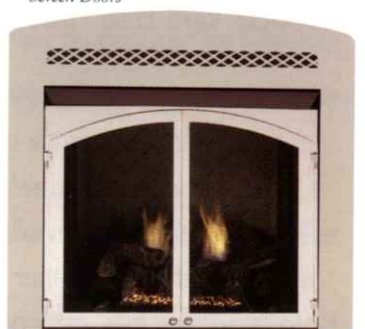
MCUF shown with Brushed Pewter Arched Front, Black Frame and Brushed Pewter Fire Screen Doors



LCUF shown with Gold Arched Front, Gold Frame and Gold Fire Screen Doors



LCUF shown with Black Arched Front, Brushed Pewter Frame and Brushed Pewter Fire Screen Doors



LCUF shown with Brushed Pewter Arched Front, Brushed Pewter Frame and Brushed Pewter Fire Screen Doors



VFR36C-TB Vent Free Firebox shown with optional Blazing Oak Fiber Ceramic Gas Logs.

Martin offers a complete line of vent free fireboxes for use with its line of vent free gas logs as well as other vent free gas logs that fit within the minimum hearth area.

## A Louvered or Radiant Clean Face Design For Any Installation

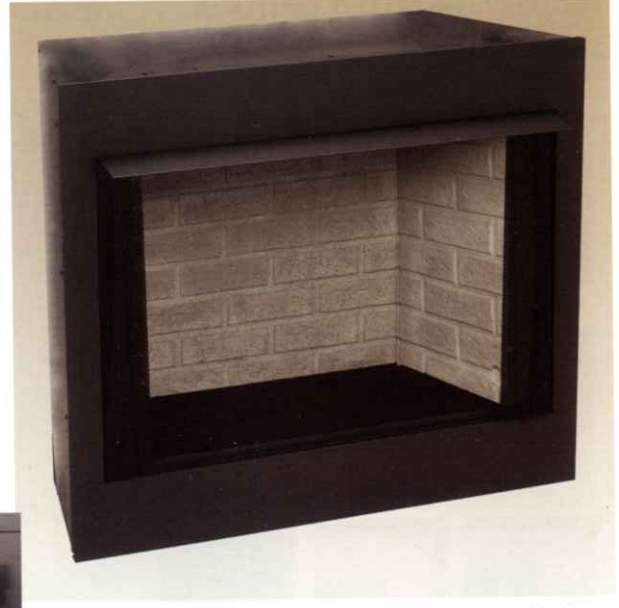
### VF/R32C, VF/R36C and VF/R42C Vent Free Fireboxes

- 32", 36" and 42" fireboxes with a choice of louvered or radiant clean face design
  - Shipped standard with your choice of refractory or tavern brown firebrick factory installed
  - Hidden, heat circulating air ducts allow blower operation with optional radiant face panels and facing material installed up to the edge of the firebox for a true masonry look
  - Out-of-the-box ready for a circulating installation
  - Optional radiant panels for easy field conversion
  - CSA design certified for use with Martin Hearth & Heating 18", 24" and 30" Vent Free Gas Logs as well as other vent free gas logs that fit within the minimum hearth area
- Please Note:** 24" Ember Burner used for Seasoned Hardwood and Stacked Pine Gas Logs does not fit the VF/R32C Firebox
- With 99% vent free efficiency, heat stays in the home for warmth and comfort

# NEW AIR DUCT DESIGN ALLOWS BLOWER OPERATION WITH RADIANT FACE PANELS



**Circulating VF36C-TB Firebox**



**Clean Face Radiant VFR36C-R Firebox**

- Out-of-the-box ready for a circulating installation
- Optional radiant panels for easy field conversion
- New air duct design allows blower operations with optional radiant face panels

## 400BUF and 500BUF Vent Free Fireboxes



**400BUF Vent Free Firebox**

- Firebox with a true 36" (400BUF) and 42" (500BUF) brick to brick opening displays black facing and a standard refractory firebox liner
- Zero clearance design allows installation next to wood, sheetrock or other construction materials
- No expensive flue, chimney or hearth required makes installation versatile



**500BUF Vent Free Firebox**

- Radiant design with hidden, heat circulating air ducts
- Optional blower may be added for rapid heat circulation
- CSA design certified for use with most 18", 24" and 30" vent free gas logs

# SPECIFICATIONS

## Product Specifications

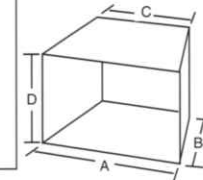
Model	Width		Height		Depth		Minimum Hearth Area				Hearth Opening (Sq. In.)	Radiant or Circulating	Blower Option	Design Certified
	Actual	Framing	Actual	Framing	Actual	Framing	A	B	C	D				
36MCF	41"	41-1/4"	43-3/4"	44-1/4"	20-1/2"	21"	36"	16"	24-1/2"	26"	936	Radiant	Yes	CSA
42MCF	47"	47-1/4"	43-3/4"	44-1/4"	20-1/2"	21"	42"	16"	30-1/2"	26"	1092	Radiant	Yes	CSA
32LCUF	37"	37-1/4"	34-1/2"	35"	16"	15-1/2"*	29-7/8"	13-1/4"	23-3/8"	27-1/2"	822	Radiant	No	CSA
36LCUF	41"	41-1/4"	43-3/4"	44-1/4"	20-1/2"	21"	36"	16"	24-1/2"	32"	1152	Radiant	No	CSA
VF32C	37"	37-1/4"	34-1/2"	35"	16"	15-1/2"*	29-7/8"	13-1/4"	23-3/8"	21-7/8"	653	Both	Yes	CSA
VF36C	41"	41-1/4"	34-1/2"	35"	18"	17-1/2"*	34"	15-3/4"	27-3/8"	21-7/8"	743	Both	Yes	CSA
VF42C	47"	47-1/4"	34-1/2"	35"	18"	17-1/2"*	40"	15-3/4"	33-3/8"	21-7/8"	875	Both	Yes	CSA
400BUF	40"	40-1/2"	34"	34-1/2"	21"	21-1/2"	35-1/2"	17"	20-3/8"	21-1/2"	763	Radiant	Yes	CSA
500BUF	46"	46-1/2"	34"	34-1/2"	21"	21-1/2"	41-1/2"	17"	20-3/8"	21-1/2"	892	Radiant	Yes	CSA

### Hardwood Surround Dimensions

\* Framing dimension allows for drywall thickness.

	32" Wall Surround	32" Wall w/ Hearth	32" Wall Sur. w/ Hearth	36" Wall Surround	36" Wall w/ Hearth	*36" Wall Surround	*36" Wall w/ Hearth	36" Wall Sur. w/ Hearth
Width of mantel	50-1/2"	58"	52-1/4"	54-3/8"	61-1/4"	58"	64-1/2"	56-1/2"
Height w/o hearth	48"	5"	50"**	48-1/4"	5"	53"	5"	50"**
Depth	17-1/4"	21-3/8"	23-1/2"	19-3/4"	25-1/2"	22"	25-1/2"	26"
Opening width	38"	-	38"	42"	-	42"	-	42"
Opening height	35-7/8"	-	35-3/4"	35-3/4"	-	40-3/4"	-	35-3/4"
Width of mantel top	58"	-	58"	62"	-	64-1/2"	-	61-1/2"
Depth of mantel top	21-1/8"	-	21"	25-1/2"	-	25-1/2"	-	23-3/4"

### Minimum Hearth Area Drawing



Note: Please see Product Specification Chart above.

\* 36MCF and 36LCUF \*\* Height includes hearth

	32" Corner Surround	32" Corner Hearth	36" Corner Surround	36" Corner Hearth
Width of mantel	62-3/8"	62-3/8"	63-3/8"	63-3/8"
Height w/o hearth	48-1/4"	5"	48-1/4"	5"
Distance from corner to front center of mantel	35-1/2"	-	37-1/2"	-
Distance from corner to front edge along wall	44-1/8"	-	47"	-
Opening width	38"	-	42"	-
Opening height	35-7/8"	-	35-7/8"	-

### Vent Free Firebox Framing Dimensions

	36MCF	42MCF	32LCUF	36LCUF	VF32C	VF36C	VF42C	400BUF	500BUF
A	41-1/4"	47-1/4"	37-1/4"	41-1/4"	37-1/4"	41-1/4"	47-1/4"	40-1/2"	46-1/2"
B	44-1/4"	44-1/4"	35"	44-1/4"	35"	35"	35"	34-1/2"	34-1/2"
C	30-1/2"	36-1/2"	29"	30-1/2"	29"	32"	38"	24-13/16"	30-13/16"
D	15-1/4"	18-1/4"	14-7/8"	15-1/4"	14-7/8"	16-3/8"	19-3/8"	13-1/2"	13-1/2"
E	71-1/2"	77-1/2"	61-3/4"	71-1/2"	61-3/4"	68-7/8"	74-7/8"	67-7/8"	73-7/8"
F	35-3/4"	38-3/4"	30-7/8"	35-3/4"	30-7/8"	34-1/2"	37-1/2"	34"	34"
G	21"	21"	15-1/2"	21"	15-1/2"	17-1/2"	17-1/2"	21-1/2"	21-1/2"
H	50-1/2"	55"	43-3/4"	50-1/2"	43-3/4"	48-3/4"	53"	48"	54"

### Warning:

- It is recommended that the screen be used during operation of this log set. Always ensure the screen has adequate spaces to allow for passage of combustion air to the gas log set.
- Correct installation of the vent free logs, proper location of the heater and periodic cleaning are necessary to avoid potential service problems with sooting.
- Keep small children and animals away from the open flame of the gas log set at all times.
- There may be a start-up odor associated with the heating of the logs. The odor should diminish in 2-3 hours of operation with the burner at its highest setting with the fan in the off position.
- It is recommended to open a window during burn off period.

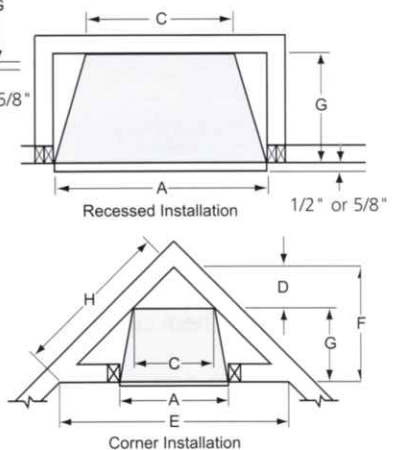
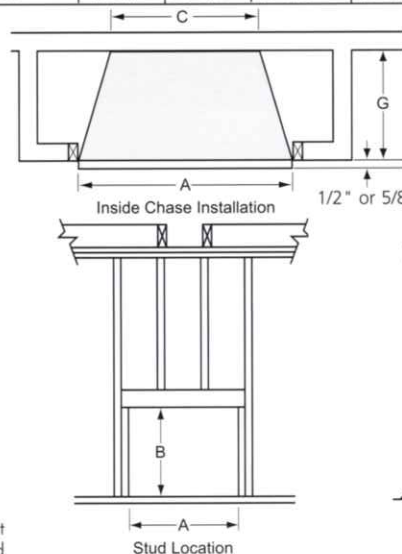
### REGULATORY APPROVAL

This firebox has been tested and approved to ANSI Z21.91 standards, for ventless firebox enclosures.



A Division of MHS, Inc.  
149 Cleveland Drive • Paris, KY 40361  
www.martinhearthandheating.com

To avoid personal injury or property damage, the product described by this brochure must be installed, operated and maintained in strict compliance with the instructions packaged with the product and all applicable building or fire codes. Contact local building or fire officials about restrictions and installation inspection requirements. All photographs and drawings on this brochure are for illustrative purposes only and are not intended for, nor should they be used as a substitute for the instructions packaged with the unit. Appearance and specifications of the product are subject to change without notice.



SOLD BY:



MADE IN U.S.A.  
Rev. 05-06



MHH-VFFireboxes